

## High Productivity Cooking Steam Tilting Boiling Pan, 60lt Wall mounted, Manual

ITEM # \_\_\_\_\_

MODEL # \_\_\_\_\_

NAME # \_\_\_\_\_

SIS # \_\_\_\_\_

AIA # \_\_\_\_\_


**586050 (PBOT06TVCO)**

 Steam Tilting Boiling Pan 60  
 liter - Wall mounted, Manual,  
 Depth 900 mm - 230  
 V/1N/50-60Hz

### Short Form Specification

#### Item No.

AISI 304 stainless steel construction. Deep drawn vessel in AISI 316 stainless steel. Insulated and counterbalanced lid. Motorized tilting with variable speed control. Pan can be tilted beyond 90° to completely empty the food. Food is uniformly heated via the base and the side walls of the pan by an indirect heating system using integrally generated saturated steam at a maximum temperature of 125°C in a jacket with an automatic deaeration system. Safety valve avoids overpressure of the steam in the jacket. Safety thermostat protects against low water level in the double jacket. Possibility to store recipes in single or multiphase cooking process, with different temperature settings. Built in temperature sensors for precise control of cooking process. IPX6 water resistant. Configuration: wall mounted.

### Main Features

- Kettle is suitable to boil, steam, poach, braise or simmer all kinds of produce.
- Produce is uniformly heated in the vessel by an indirect heating system using saturated steam.
- Kettle is jacketed up to 134 mm from upper rim.
- Isolated upper well rim avoids risk of harm for the user.
- Max pressure of inner jacket at 1,5 bar; minimum working pressure at 0.5 bar.
- Self-contained steam-source: a booster feeds steam directly into the double jacket.
- Ergonomic vessel dimensions, with a large diameter and shallow depth facilitates stirring and gentle food handling.
- Edge of the large pouring lip can be equipped with a strainer (option).
- Motorized, variable pan tilting with "SOFT STOP". Tilting and pouring speeds can be precisely adjusted. Pan can be tilted over 90° to facilitate pouring and cleaning operations.
- Connectivity ready for real time access to connected appliances from remote and data monitoring (requires optional accessory - contact the Company for more details).
- IPX6 water resistant.

### Construction

- Cooking vessel in 1.4435 (AISI 316L) stainless steel featuring directional pouring lip. Double-jacket in 1.4404 (AISI 316L) stainless steel designed to operate at a pressure of 1.5 bar.
- External panelling and internal frame made of 1.4301 (AISI 304) stainless steel.
- Double-lined insulated lid in 1.4301 (AISI 304) stainless steel mounted on the cross beam of the unit, counterbalanced by a hinge that remains open in all positions.
- Safety valve avoids overpressure of the steam in the double jacket.
- External steam feeding; 1,5 bars working pressure.
- Safety thermostat protects against low water level in the double jacket.
- Water mixing tap is available as optional accessory to make water filling and pan cleaning easier.
- Ergonomic and user friendly thanks to the high tilting position and the pouring lip design which allow to easily fill containers.
- Minimised presence of narrow gaps for easier cleaning of the sides to meet the highest hygiene standards.
- Can be prearranged for energy optimisation

APPROVAL: \_\_\_\_\_

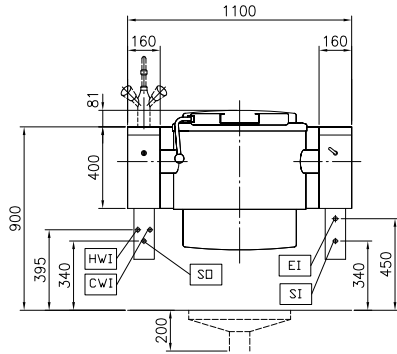
or external surveillance systems (optional).

- 98% recyclable by weight; packaging material free of toxic substances.

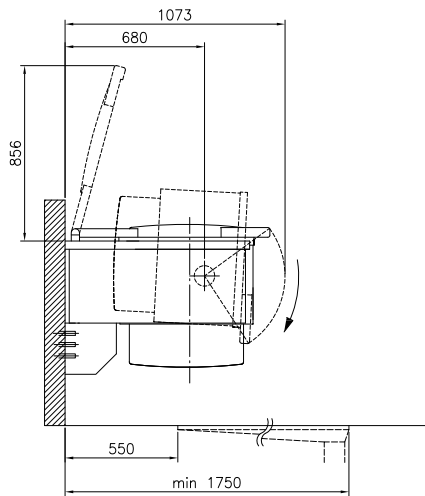
### Optional Accessories

- |                                                                               |            |                          |                                                                                                                                                                                                     |            |                          |
|-------------------------------------------------------------------------------|------------|--------------------------|-----------------------------------------------------------------------------------------------------------------------------------------------------------------------------------------------------|------------|--------------------------|
| • Strainer for 40 and 60lt tilting boiling pans                               | PNC 910001 | <input type="checkbox"/> | • Spray gun for tilting units - against wall (height 400mm) - factory fitted                                                                                                                        | PNC 912775 | <input type="checkbox"/> |
| • Basket for 60lt stationary boiling pans (diam. 480mm)                       | PNC 910021 | <input type="checkbox"/> | • Food tap 2" for tilting boiling pans (PBOT) - factory fitted                                                                                                                                      | PNC 912779 | <input type="checkbox"/> |
| • Base plate for 60lt tilting boiling pans                                    | PNC 910031 | <input type="checkbox"/> | • Emergency stop button - factory fitted                                                                                                                                                            | PNC 912784 | <input type="checkbox"/> |
| • Measuring rod for 60lt tilting boiling pans                                 | PNC 910042 | <input type="checkbox"/> | • Connecting rail kit for appliances with backsplash: modular 90 (on the left) to ProThermetic tilting (on the right), ProThermetic stationary (on the left) to ProThermetic tilting (on the right) | PNC 912981 | <input type="checkbox"/> |
| • Strainer for dumplings for 40 and 60lt tilting boiling pans                 | PNC 910052 | <input type="checkbox"/> | • Connecting rail kit for appliances with backsplash: modular 90 (on the right) to ProThermetic tilting (on the left), ProThermetic stationary (on the right) to ProThermetic tilting (on the left) | PNC 912982 | <input type="checkbox"/> |
| • Scraper for dumpling strainer for boiling and braising pans                 | PNC 910058 | <input type="checkbox"/> | • Mixing tap with drip stop, two knobs, 815mm height, 600mm swivelling depth for PBOT/PFET - factory fitted                                                                                         | PNC 913554 | <input type="checkbox"/> |
| • Food tap strainer rod for stationary round boiling pans                     | PNC 910162 | <input type="checkbox"/> | • Mixing tap with drip stop, two knobs, 815mm height, 450mm swivelling depth for PBOT/PFET - factory fitted                                                                                         | PNC 913555 | <input type="checkbox"/> |
| • FOOD TAP STRAINER - PBOT                                                    | PNC 911966 | <input type="checkbox"/> | • Mixing tap with drip stop, two knobs, 685mm height, 600mm swivelling depth for PBOT/PFET - factory fitted                                                                                         | PNC 913556 | <input type="checkbox"/> |
| • C-board (length 1100mm) for tilting units - factory fitted                  | PNC 912183 | <input type="checkbox"/> | • Mixing tap with drip stop, two knobs, 685mm height, 450mm swivelling depth for PBOT/PFET - factory fitted                                                                                         | PNC 913557 | <input type="checkbox"/> |
| • Power Socket, CEE16, built-in, 16A/400V, IP67, red-white - factory fitted   | PNC 912468 | <input type="checkbox"/> | • Mixing tap with two knobs, 520mm height, 600mm swivelling depth for PXXT- KWC - factory fitted                                                                                                    | PNC 913567 | <input type="checkbox"/> |
| • Power Socket, CEE32, built-in, 32A/400V, IP67, red-white - factory fitted   | PNC 912469 | <input type="checkbox"/> | • Mixing tap with one lever, 564mm height, 450mm swivelling depth for PXXT- KWC - factory fitted                                                                                                    | PNC 913568 | <input type="checkbox"/> |
| • Power Socket, SCHUKO, built-in, 16A/230V, IP68, blue-white - factory fitted | PNC 912470 | <input type="checkbox"/> |                                                                                                                                                                                                     |            |                          |
| • Power Socket, TYP23, built-in, 16A/230V, IP55, black - factory fitted       | PNC 912471 | <input type="checkbox"/> |                                                                                                                                                                                                     |            |                          |
| • Power Socket, TYP25, built-in, 16A/400V, IP55, black - factory fitted       | PNC 912472 | <input type="checkbox"/> |                                                                                                                                                                                                     |            |                          |
| • Power Socket, SCHUKO, built-in, 16A/230V, IP55, black - factory fitted      | PNC 912473 | <input type="checkbox"/> |                                                                                                                                                                                                     |            |                          |
| • Power Socket, CEE16, built-in, 16A/230V, IP67, blue-white - factory fitted  | PNC 912474 | <input type="checkbox"/> |                                                                                                                                                                                                     |            |                          |
| • Power Socket, TYP23, built-in, 16A/230V, IP54, blue - factory fitted        | PNC 912475 | <input type="checkbox"/> |                                                                                                                                                                                                     |            |                          |
| • Power Socket, SCHUKO, built-in, 16A/230V, IP54, blue - factory fitted       | PNC 912476 | <input type="checkbox"/> |                                                                                                                                                                                                     |            |                          |
| • Power Socket, TYP25, built-in, 16A/400V, IP54, red-white - factory fitted   | PNC 912477 | <input type="checkbox"/> |                                                                                                                                                                                                     |            |                          |
| • Manometer for tilting boiling pans - factory fitted                         | PNC 912490 | <input type="checkbox"/> |                                                                                                                                                                                                     |            |                          |
| • Connecting rail kit for appliances with backsplash, 900mm                   | PNC 912499 | <input type="checkbox"/> |                                                                                                                                                                                                     |            |                          |
| • Kit energy optimization and potential free contact - factory fitted         | PNC 912737 | <input type="checkbox"/> |                                                                                                                                                                                                     |            |                          |

Front

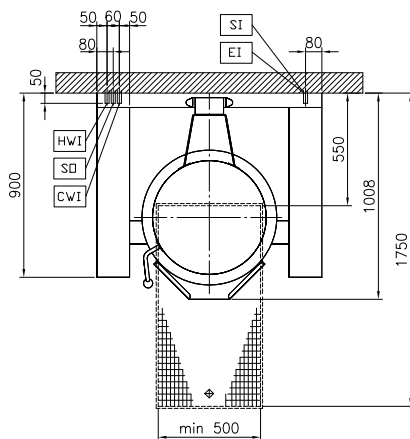


Side



CWI = Cold Water inlet 1 (cleaning)      SO = Steam outlet  
 EI = Electrical inlet (power)  
 HWI = Hot water inlet  
 SI = Steam inlet

Top



## Electric

**Supply voltage:**  
 586050 (PBOT06TVCO)      230 V/1N ph/50/60 Hz  
**Total Watts:**      0.2 kW

## Steam

**Steam generation:**      External source  
**Steam inlet size:**      1"  
**Steam pressure Max:**      1.5 bar  
**Steam supply, relative dynamic pressure:**      1 min bar, 1.5 max bar

## Water:

**Pressure, bar min/max:**      2-6 bar

## Installation:

**Type of installation:**      Wall mounted

## Key Information:

**Configuration:**      Round;Tilting  
**Working Temperature MIN:**      50 °C  
**Working Temperature MAX:**      110 °C  
**Vessel (round) diameter:**      579 mm  
**Vessel (round) depth:**      385 mm  
**External dimensions, Width:**      1100 mm  
**External dimensions, Depth:**      900 mm  
**External dimensions, Height:**      400 mm  
**Net weight:**      170 kg  
**Net vessel useful capacity:**      60 lt  
**Tilting mechanism:**      Automatic  
**Double jacketed lid:**      ✓  
**Heating type:**      Indirect

## Sustainability

**Steam consumption:**      40 kg/hr